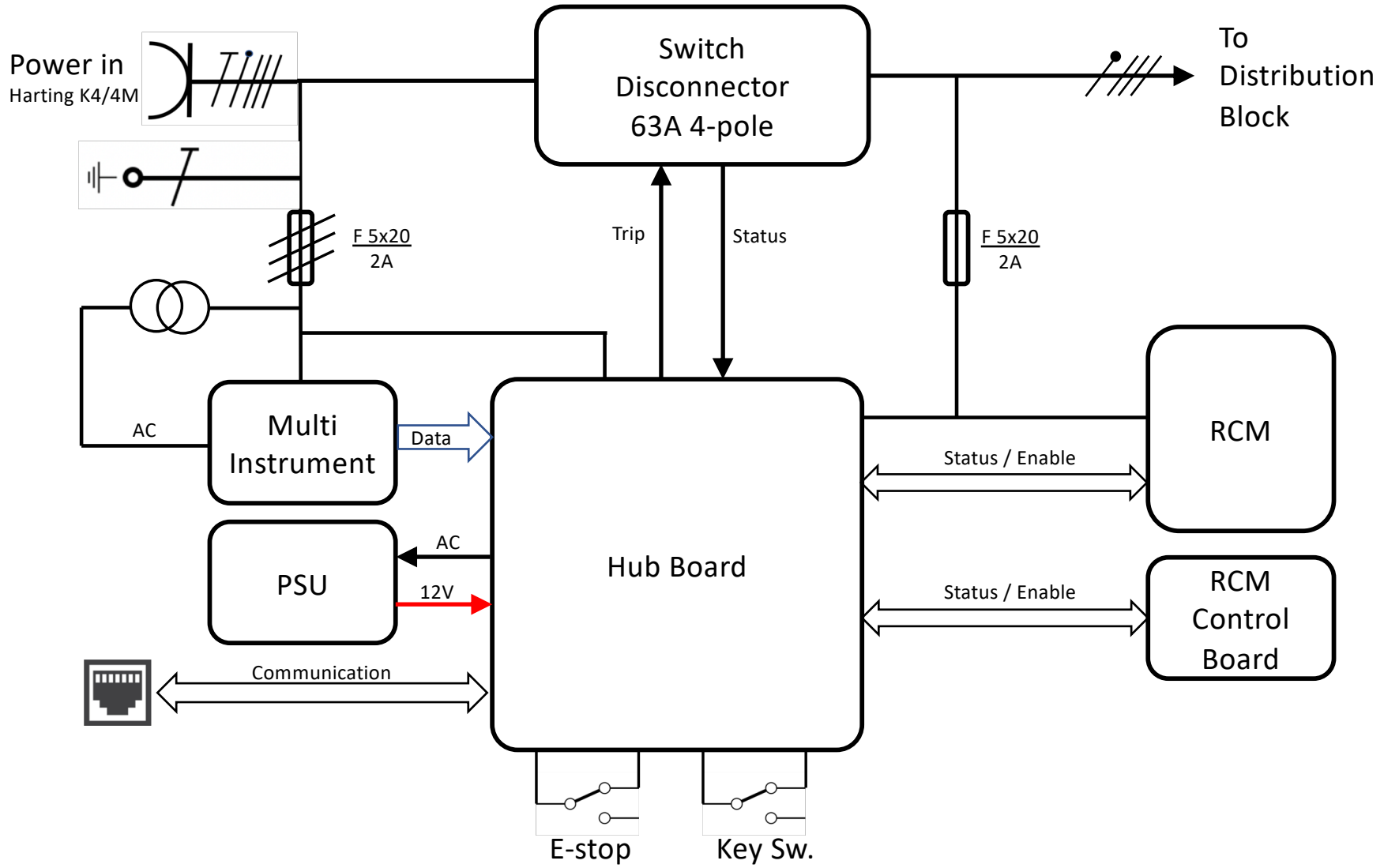


C24A Power Distribution Unit

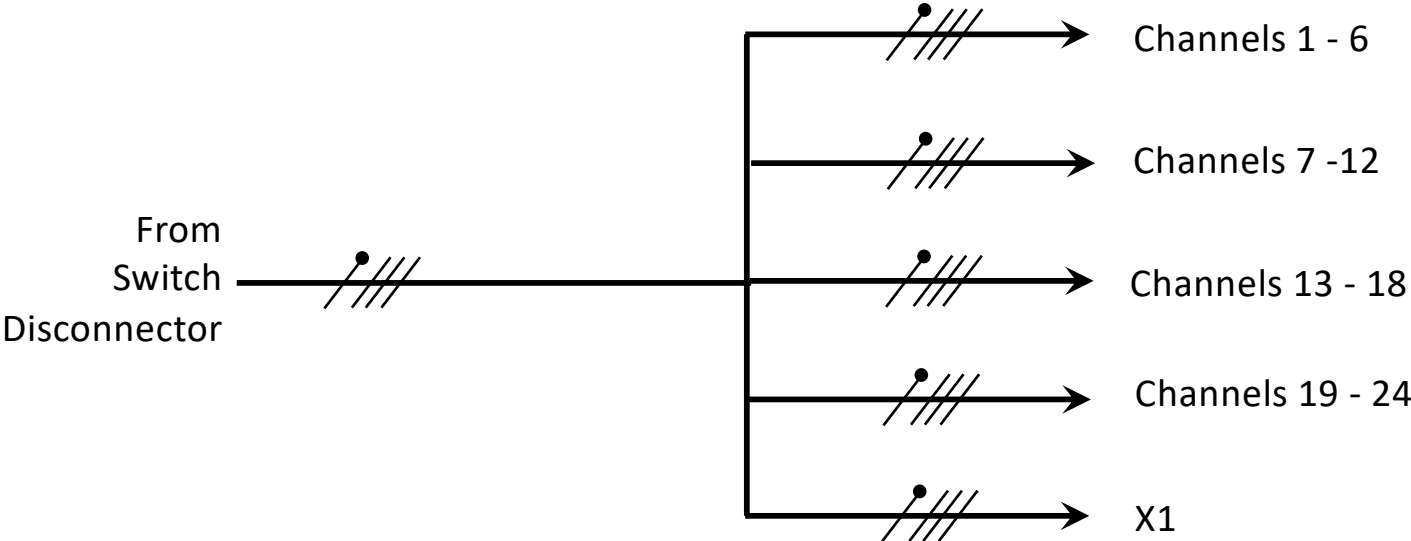
Block and wiring diagram

Rev. A – 2019-06-19

Input & Master Block

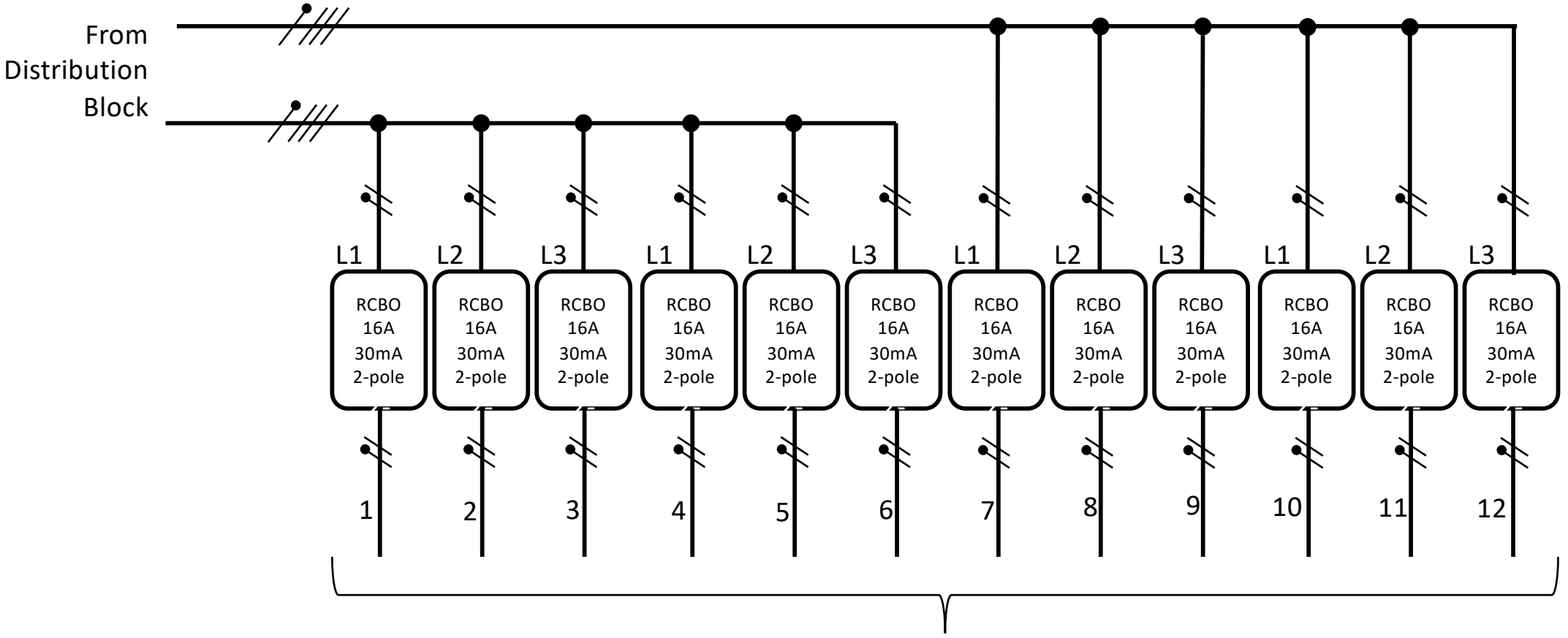


Distribution Block



Channels 1 - 12

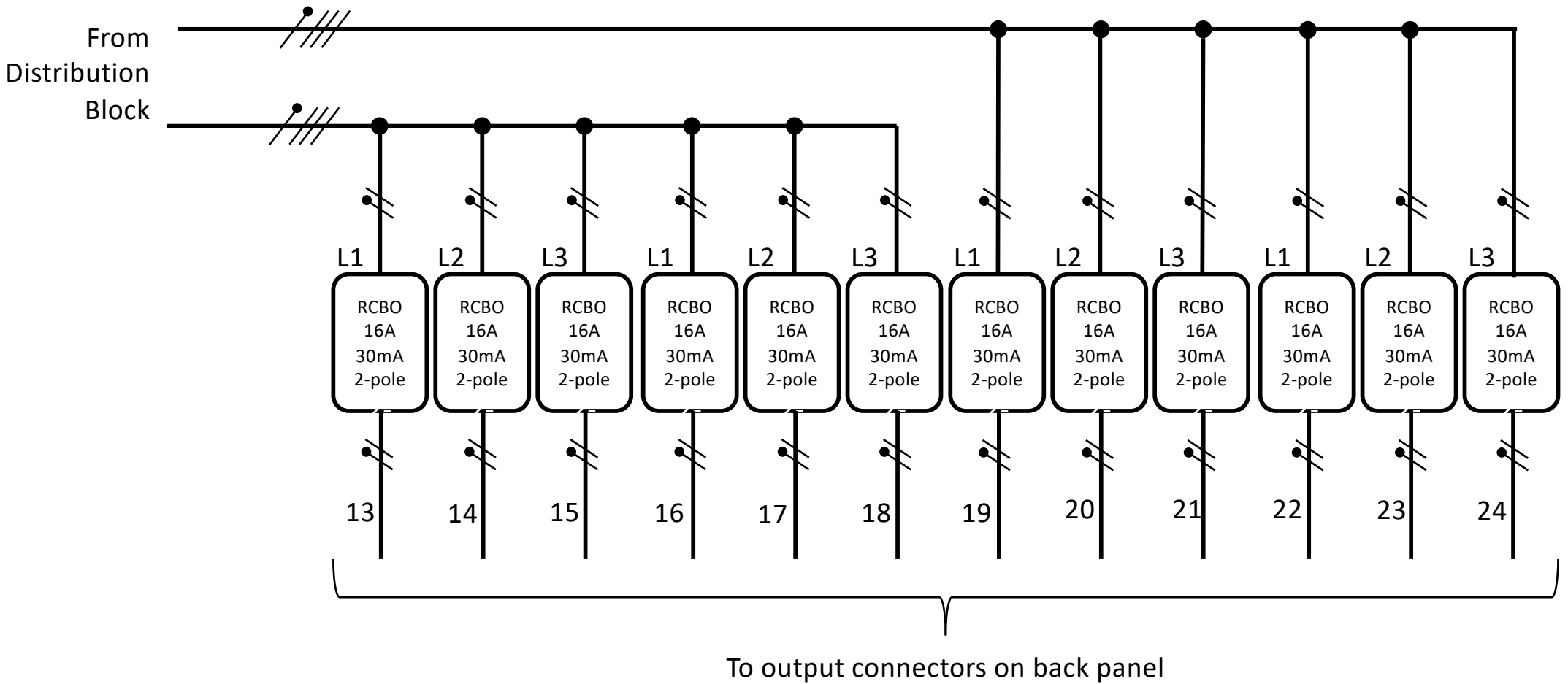
StageSmarts



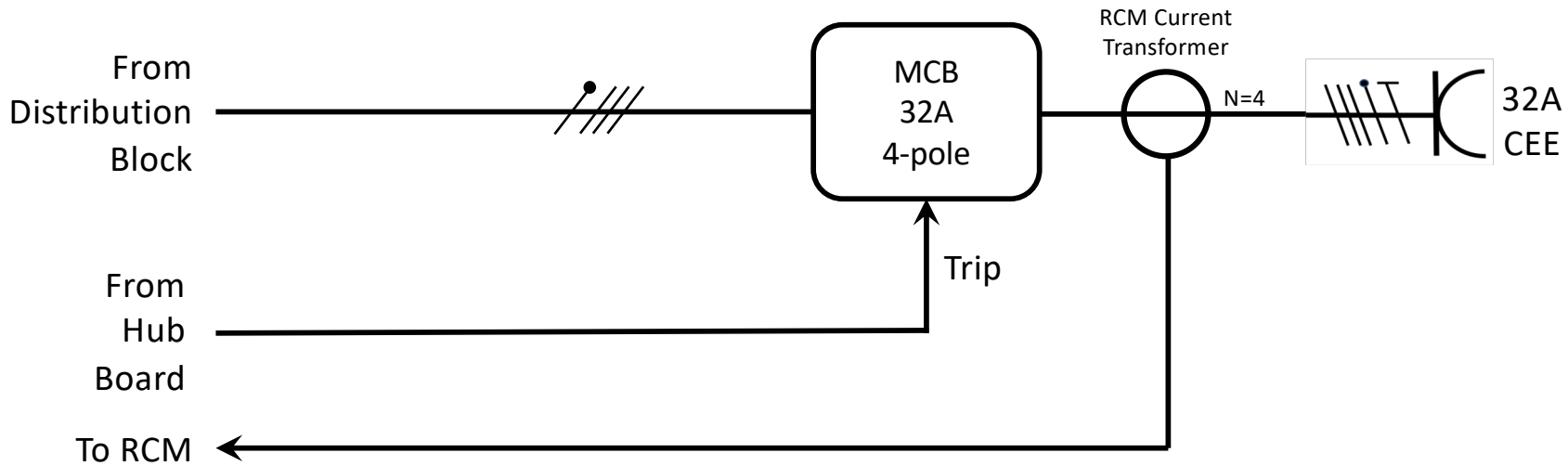
To output connectors on back panel

Channels 13 – 24

StageSmarts



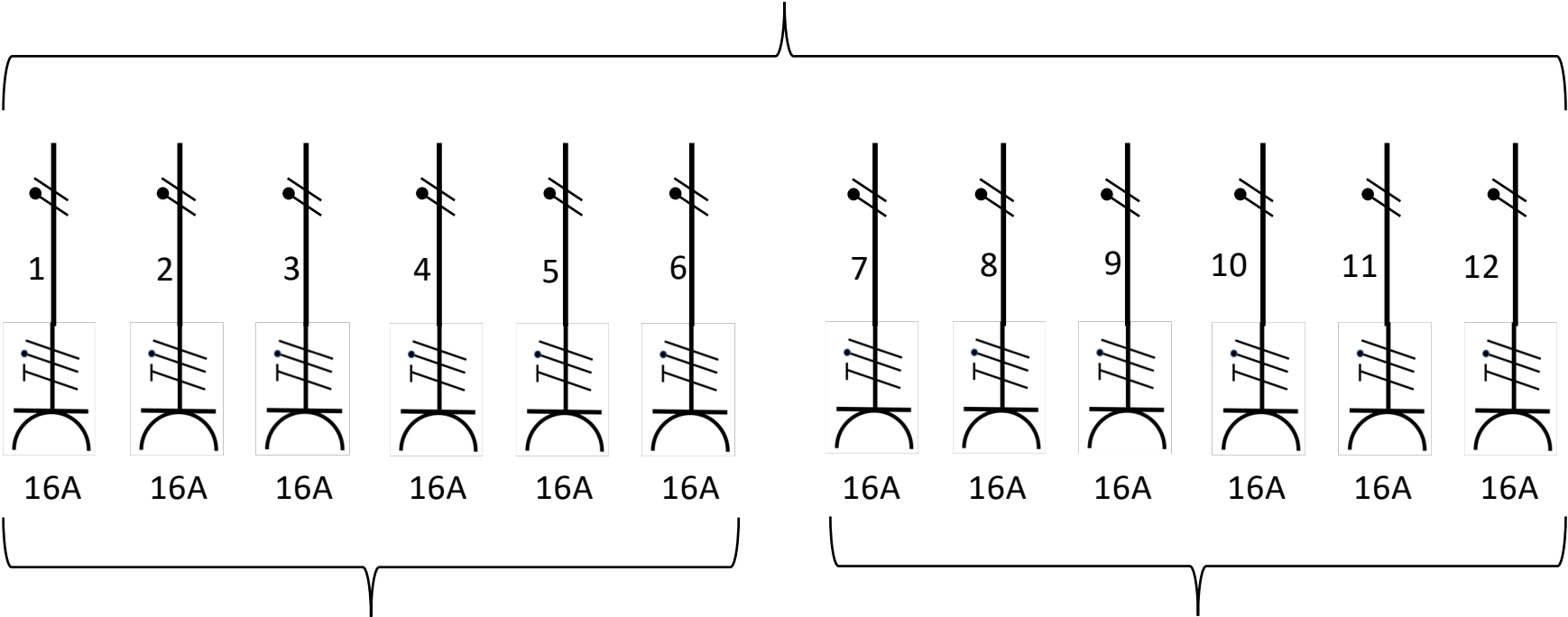
X1 3-phase out



Output Connections - C24A-1x (Socapex)



From channel RCBO's 1-12



19-pole 'Socapex' type connector
Channels 1 - 6

19-pole 'Socapex' type connector
Channels 7 - 12

Output Connections C24A-1x (Socapex)



From channel RCBO's 13-24

